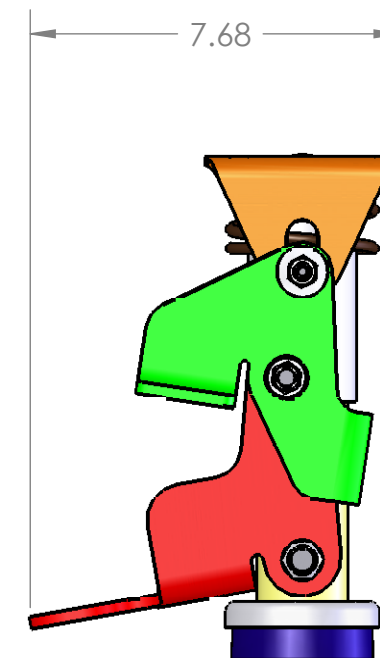
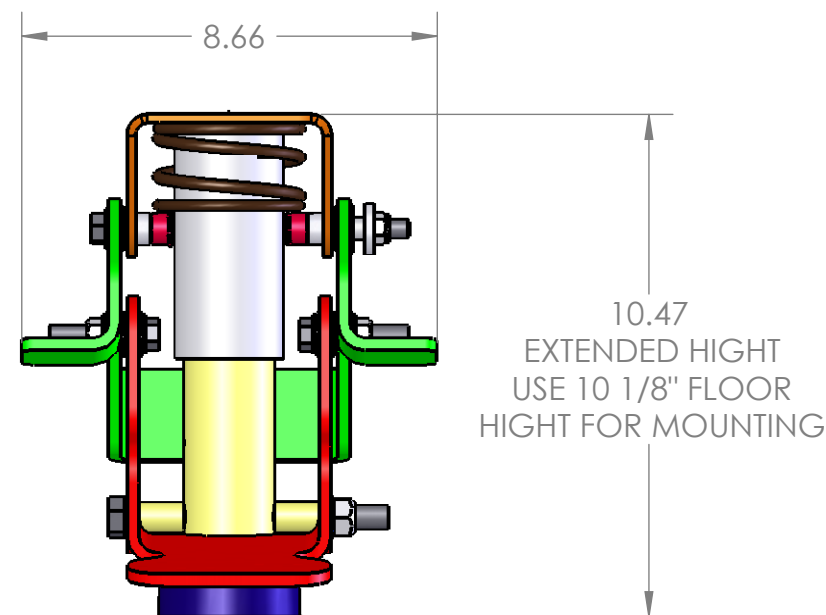
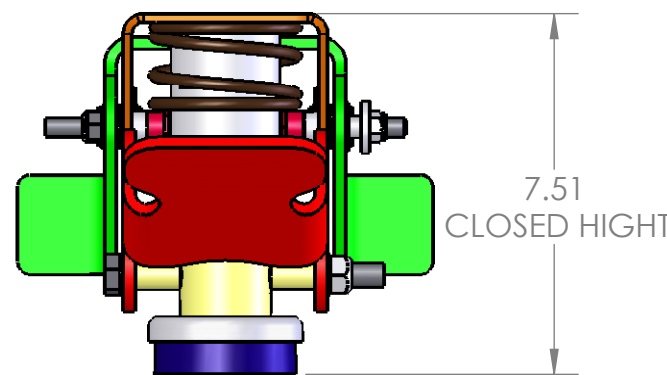
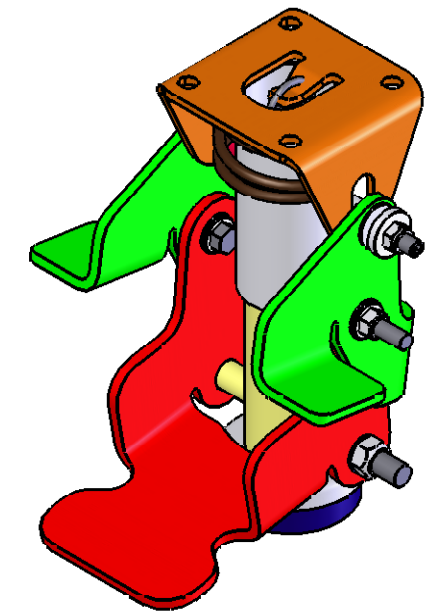
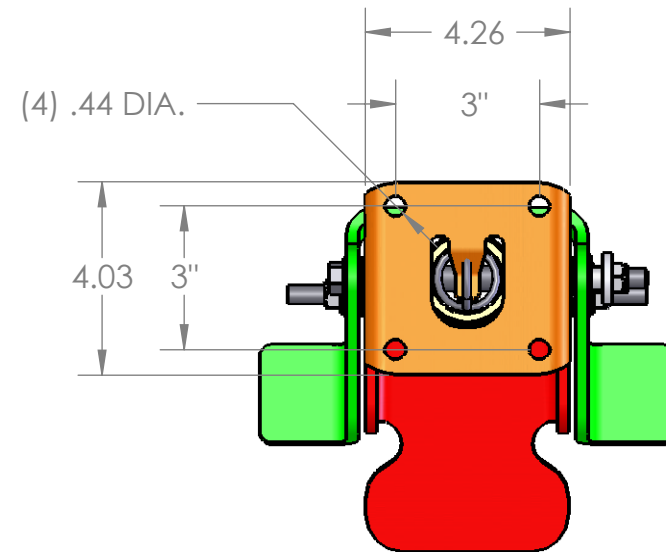


REVISIONS

REV.	DESCRIPTION	DATE	APPROVED
------	-------------	------	----------



PROPRIETARY AND CONFIDENTIAL
 THE INFORMATION CONTAINED IN THIS DRAWING IS THE SOLE PROPERTY OF KINETIC TECHNOLOGIES. ANY REPRODUCTION IN PART OR AS A WHOLE WITHOUT THE WRITTEN PERMISSION OF KINETIC TECHNOLOGIES IS PROHIBITED.

DATE	
PROJECT NUMBER	
QTY PER CART	
NO. OF CARTS	

UNLESS OTHERWISE SPECIFIED:
 DIMENSIONS ARE IN INCHES
 TOLERANCES:
 FRACTIONAL ±1/32
 ANGULAR: MACH ±1/2 BEND ±1
 TWO PLACE DECIMAL ±.015
 THREE PLACE DECIMAL ±.005

MATERIAL

FINISH

DO NOT SCALE DRAWING

	NAME	DATE
DRAWN		
CHECKED		
ENG APPR.		
MFG APPR.		
Q.A.		
COMMENTS:		

KINETIC TECHNOLOGIES
 CLEVELAND OHIO 440.943.4111

10-1/8 FLOORLOCK

SIZE	DWG. NO.	REV
B	6006A800 USER	F

WEIGHT: -13.33LBS. SHEET 1 OF 1