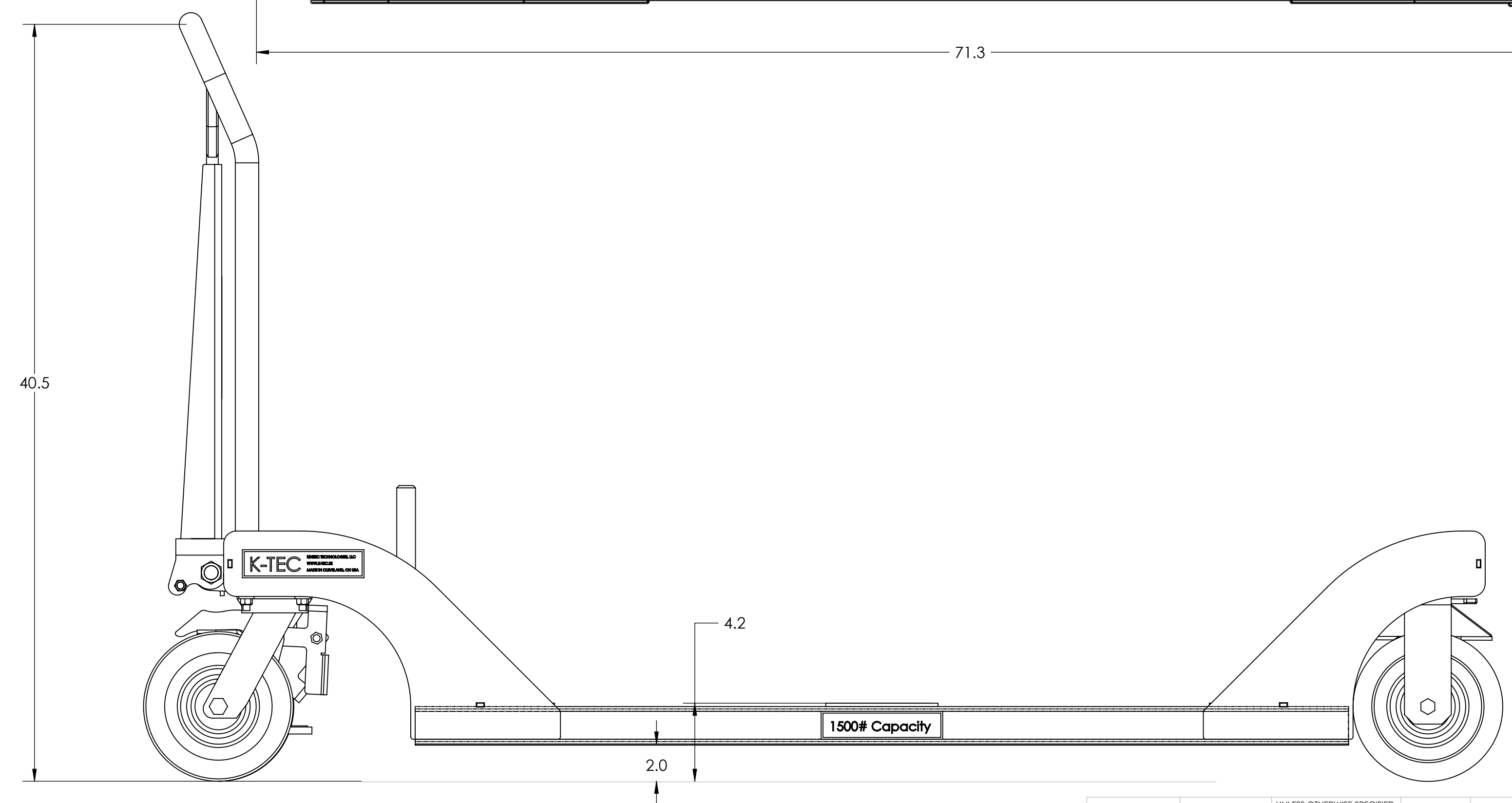
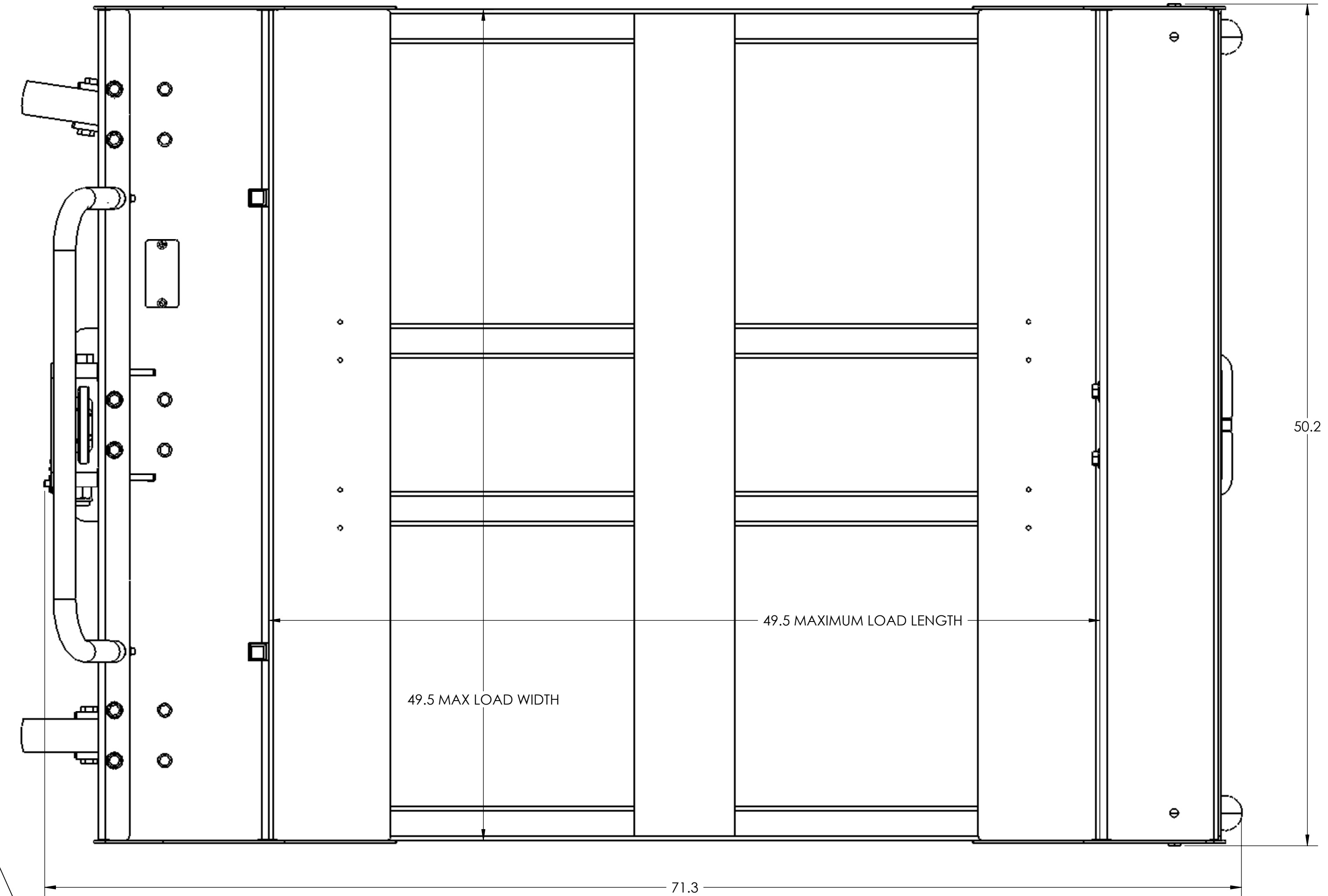
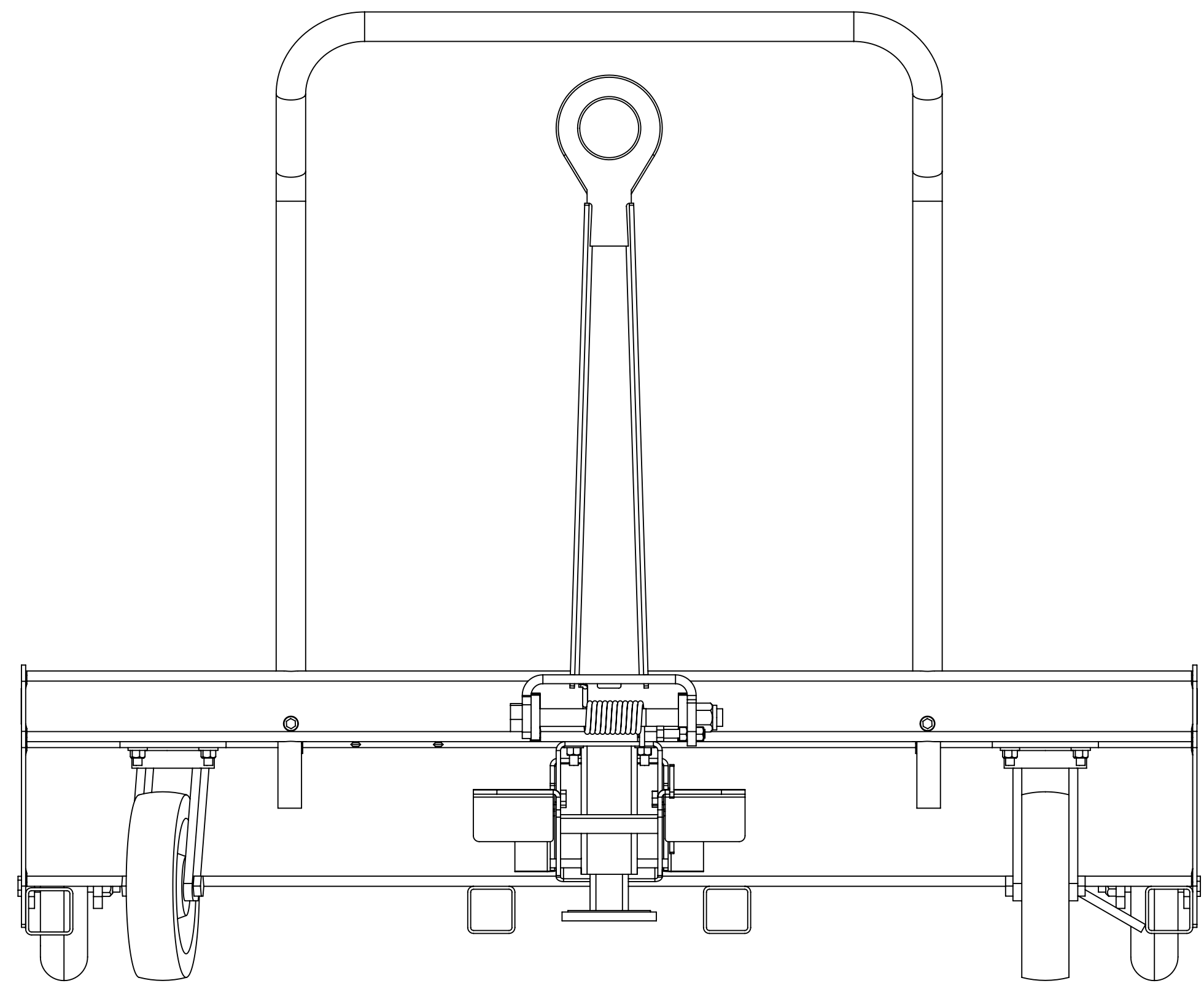


8 7 6 5 4 3 2 1

F  
E  
D  
C  
B  
A

F  
E  
D  
C  
B  
A



**PROPRIETARY AND CONFIDENTIAL**  
 THE INFORMATION CONTAINED IN THIS DRAWING IS THE SOLE PROPERTY OF KINETIC TECHNOLOGIES. ANY REPRODUCTION IN PART OR AS A WHOLE WITHOUT THE WRITTEN PERMISSION OF KINETIC TECHNOLOGIES IS PROHIBITED.

UNLESS OTHERWISE SPECIFIED:		NAME	DATE
DRAWN	M.B.A./O.R.		11/14/06
CHECKED			
ENG. APPR.			
MFG. APPR.			
INTERPRET GEOMETRIC TOLERANCING PER: MATERIAL		G.A.	
NEXT ASSY		USED ON	
FINISH			
APPLICATION			

KINETIC TECHNOLOGIES		
TITLE: 49.5 X 49.5 LOBBY CART		
SIZE	DWG. NO.	REV
D	6011 USER	0
SCALE: 1:5 WEIGHT: 304.65 SHEET 1 OF 1		

8 7 6 5 4 3 2 1

6011 USER