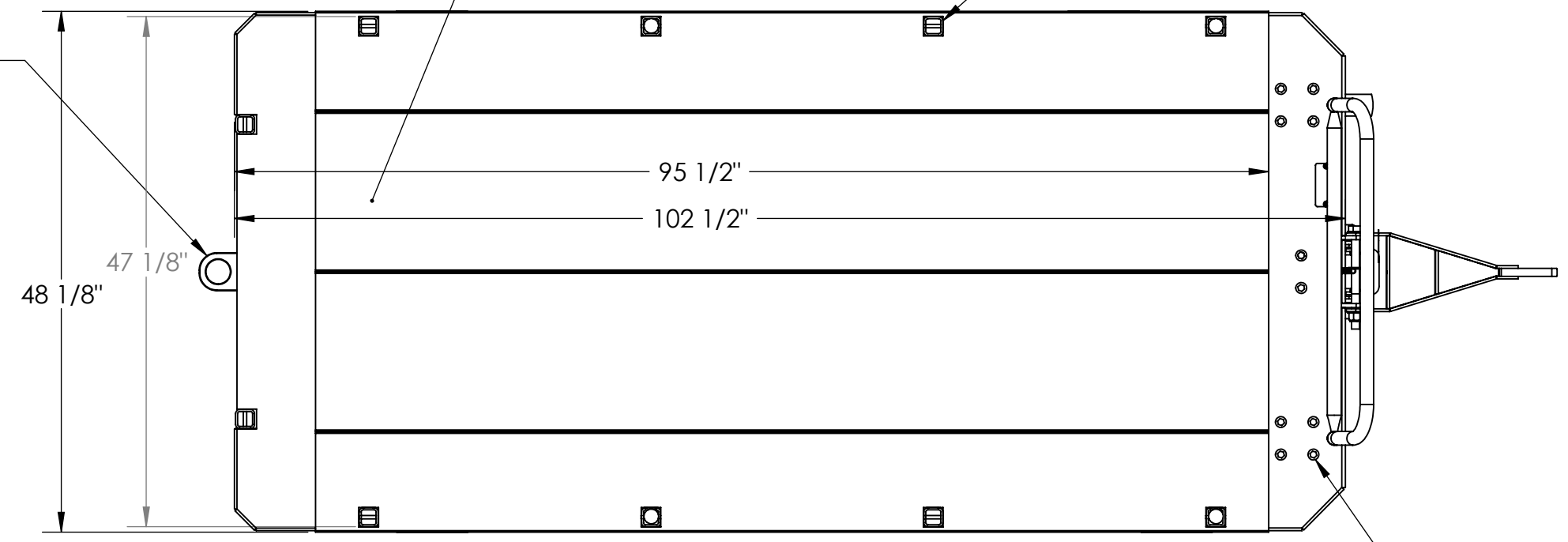


INDUSTRY STANDARD  
STYLE HITCH  
RECEIVER

FOUR PANEL DECK CONSTRUCTION  
FOR STRENGTH AND LIGHT WEIGHT DESIGN

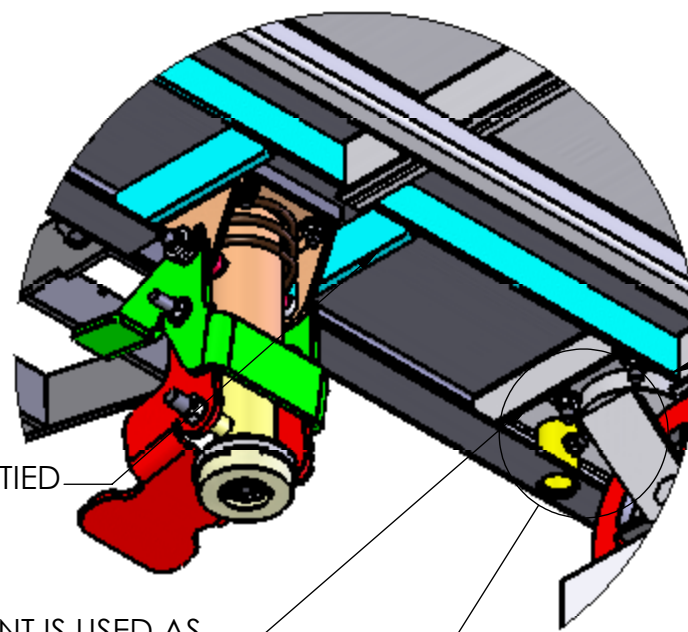
RECEIVER HOLES FOR  
DUNNAGE POSTS  
10 LOCATIONS



BUTTON HEAD BOLTS ARE RECESSED MOUNTED  
FOR A SMOOTH NON-MARRING DECK

**SUMMARY**

- LOW PROFILE WAGON
- WEIGHT OF WAGON & HANDLE 333 LBS.
- 1200 LB CAPACITY
- (4) WHEELS
  - FRONT - 8 x 2 SOFT WHEEL / 10-1/8" SWIVEL CASTER, STANDARD 2.0 LEAD
  - REAR - 8 x 2 SOFT WHEEL / 10-1/8" RIGID RIG WELDED
- ACCOMMODATES 48 x 96" USABLE WORK AREA
- REMOVABLE DUNNAGE POST FOR SIDE AND CROSS LOCATIONS.
- DUNNAGE HANDLE AT TOWBAR END BOLT ON.
- INDUSTRY STANDARD STYLE HITCH ASSEMBLY
- INDUSTRY STANDARD STYLE TOWBAR
- 4 BEND HANDLE W/ CROSS BARS.
- K-TEC 8" FLOOR LOCK WITH SPECIAL FOOT PAD FOR POSITIVE GRIP..
- NO PAINT.

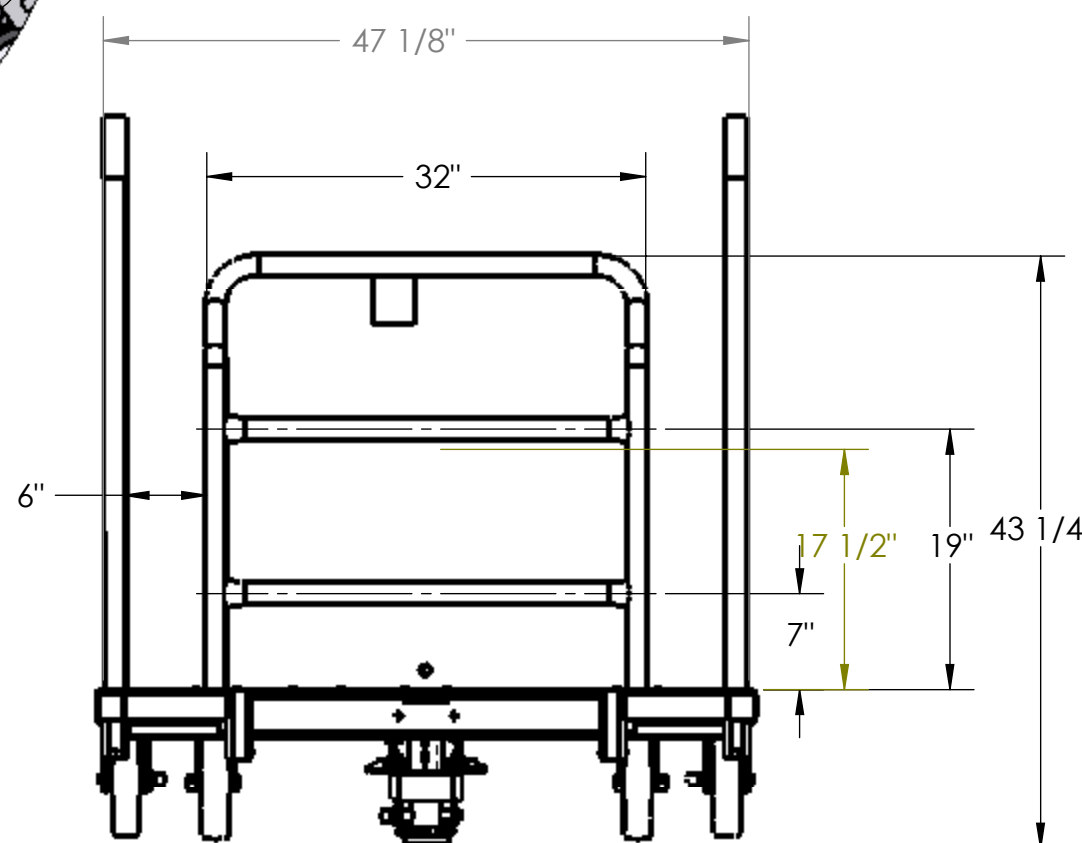


CROSS BAR TIES THE WHEEL  
MOUNT AND DECK PANELS  
TOGETHER FOR RIGIDITY.

TOW BAR MOUNTS ARE TIED  
INTO CROSS BAR FOR  
ADDED SUPPORT

WHEEL MOUNT IS USED AS  
STRUCTURAL SUPPORT FOR  
HANDLE

DETAIL G  
SCALE 1 : 6

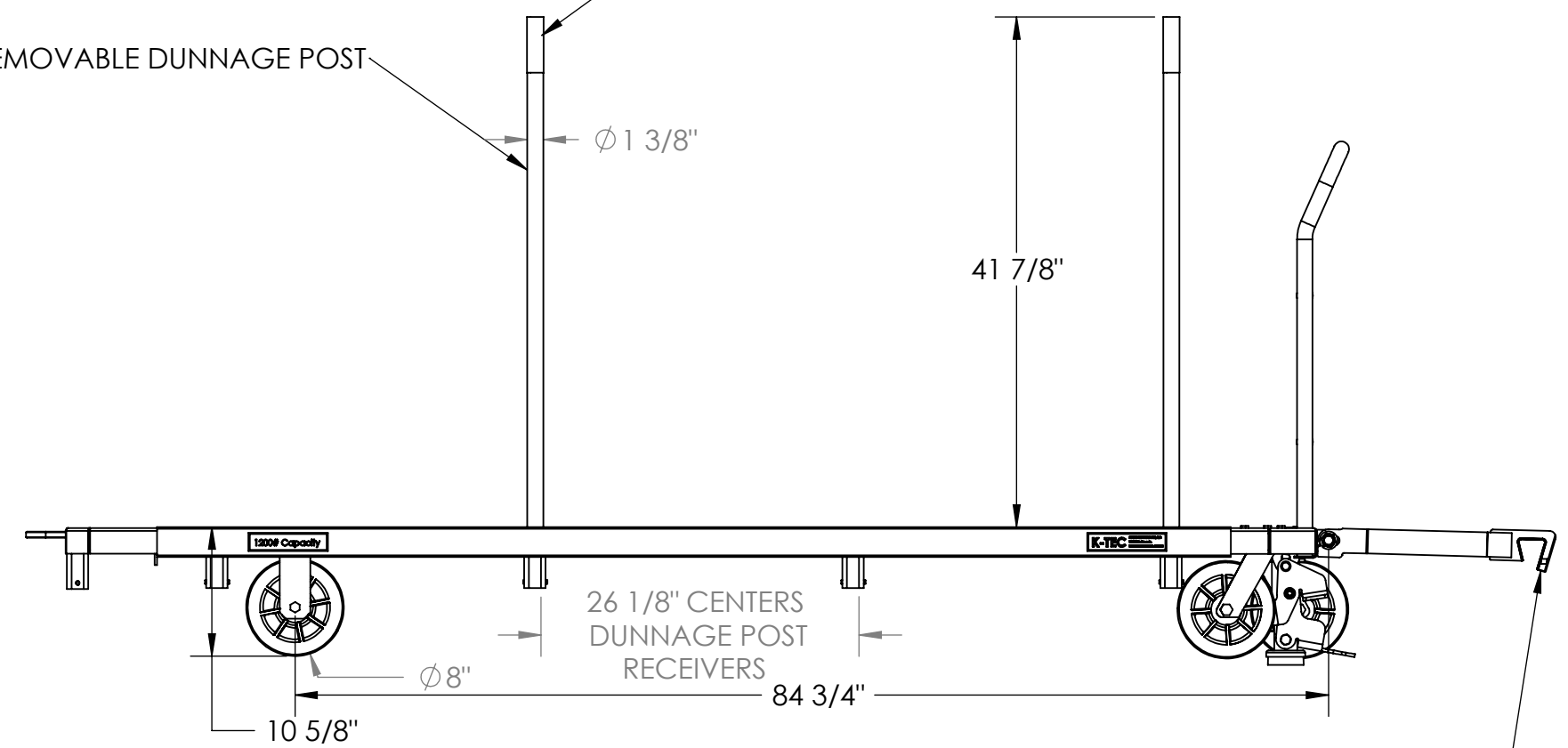


RED HAND GRIPS

REMOVABLE DUNNAGE POST

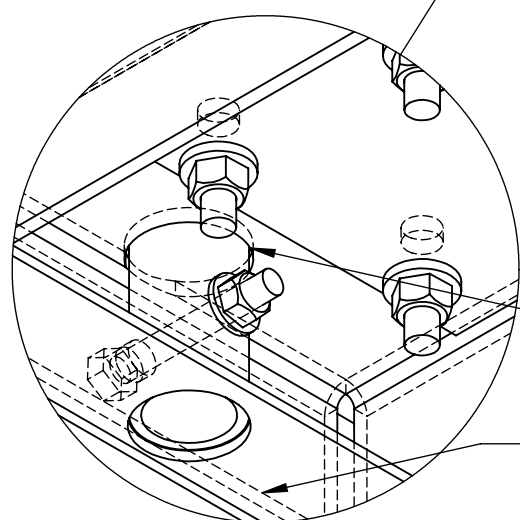
Ø 1 3/8"

41 7/8"



26 1/8" CENTERS  
DUNNAGE POST  
RECEIVERS

INDUSTRY HOOK STYLE TOWBAR



HANDLE IS SUPPORTED BY TWO 10 AND ONE 7-GUAGE  
LAYERS OF METAL TO PROVIDE RIGIDITY

FLANGES ON WHEEL MOUNT  
PROVIDE DOUBLE WALL FOR  
SUPPORT

DETAIL H  
SCALE 1 : 2

**PROPRIETARY AND CONFIDENTIAL**  
THE INFORMATION CONTAINED IN THIS  
DRAWING IS THE SOLE PROPERTY OF  
KINETIC TECHNOLOGIES. ANY  
REPRODUCTION IN PART OR AS A WHOLE  
WITHOUT THE WRITTEN PERMISSION OF  
KINETIC TECHNOLOGIES IS PROHIBITED.

DATE  
PROJECT NUMBER  
QTY PER CART  
NO. OF CARTS

UNLESS OTHERWISE SPECIFIED:  
DIMENSIONS ARE IN INCHES  
TOLERANCES:  
FRACTIONAL ±1/32  
ANGULAR: MACH ±1/2 BEND ±1  
TWO PLACE DECIMAL ±.015  
THREE PLACE DECIMAL ±.005

DRAWN	NAME	DATE
CHECKED	D.FABEC	12/1/06
ENG APPR.		
MFG APPR.		
Q.A.		
COMMENTS:		

**KINETIC TECHNOLOGIES**  
CLEVELAND OHIO 440.943.4111  
**48" x 96" STOCK MOVER  
CART**

SIZE DWG. NO. REV  
**C 6033 USER 0**

SHIPPING WEIGHT: 361.54LBS. SHEET 1 OF 1