

PROPRIETARY AND CONFIDENTIAL
 THE INFORMATION CONTAINED IN THIS DRAWING IS THE SOLE PROPERTY OF KINETIC TECHNOLOGIES. ANY REPRODUCTION IN PART OR AS A WHOLE WITHOUT THE WRITTEN PERMISSION OF KINETIC TECHNOLOGIES IS PROHIBITED.

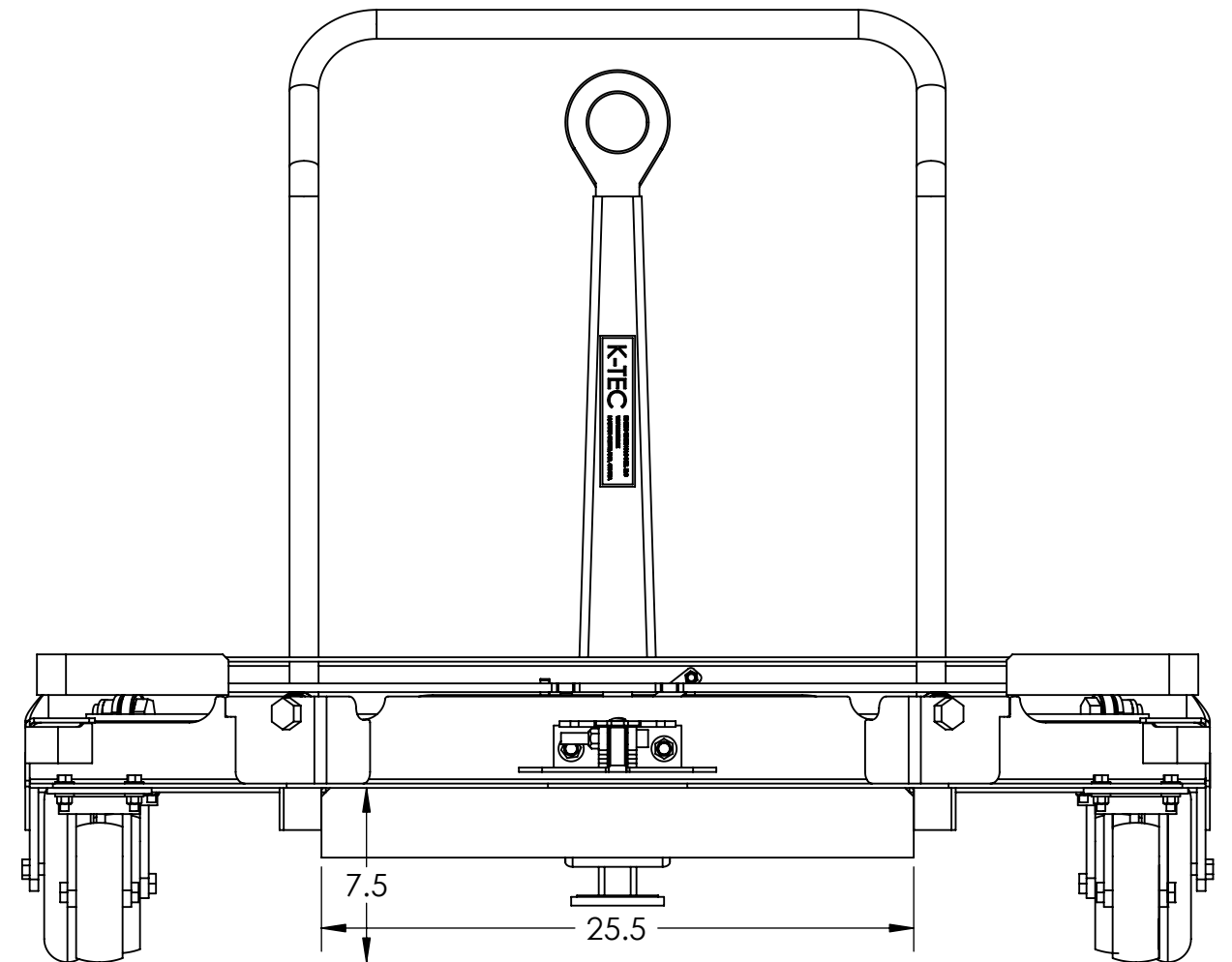
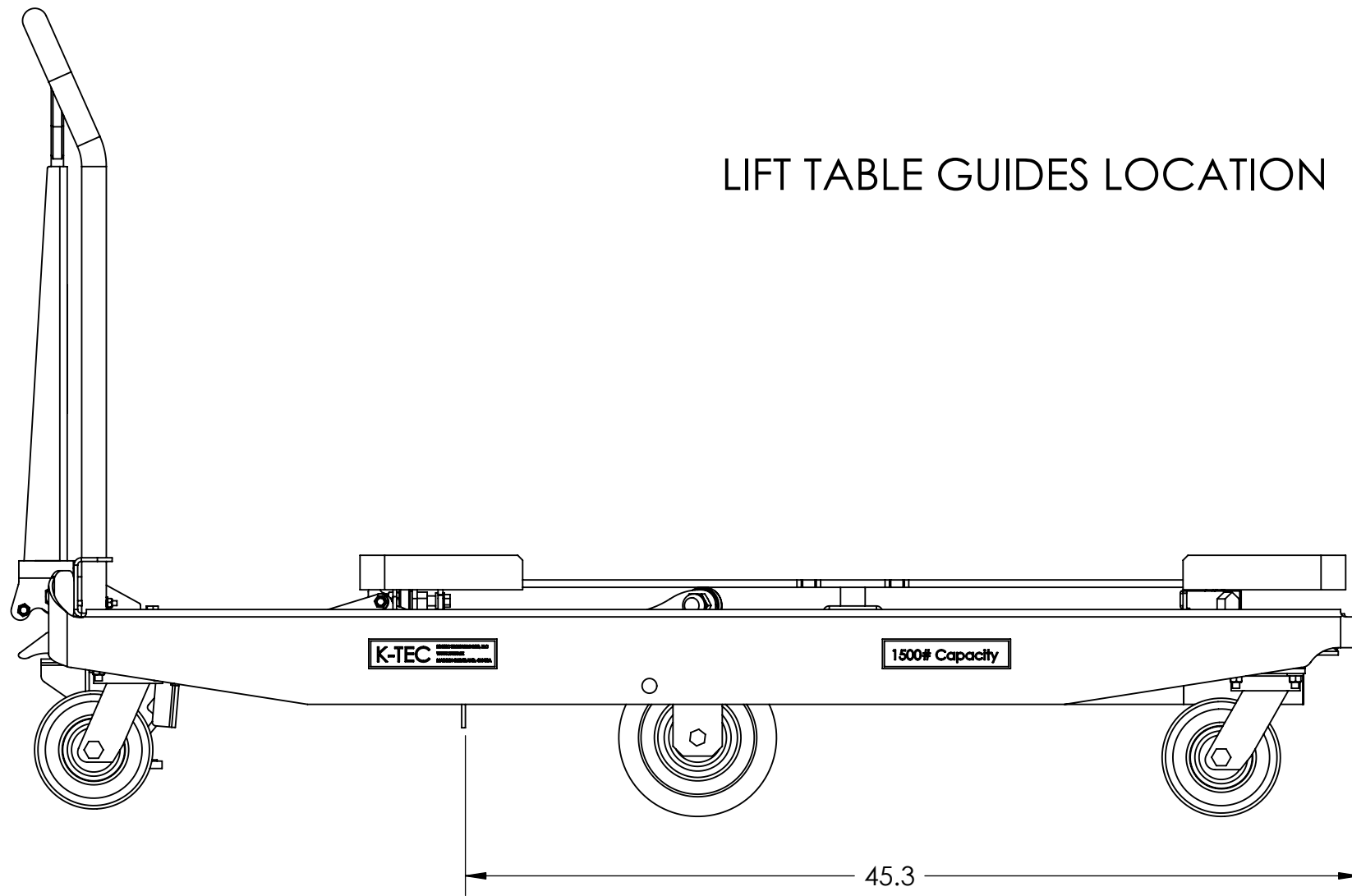
DATE	
PROJECT NUMBER	
QTY PER CART	
NO. OF CARTS	

UNLESS OTHERWISE SPECIFIED:	
DIMENSIONS ARE IN INCHES	
TOLERANCES:	
FRACTIONAL ±1/32	
ANGULAR: MACH ±1/2 BEND ±1	
TWO PLACE DECIMAL ±.015	
THREE PLACE DECIMAL ±.005	
MATERIAL	
FINISH	
DO NOT SCALE DRAWING	

	NAME	DATE
DRAWN	M BAILOR	12/6/06
CHECKED		
ENG APPR.		
MFG APPR.		
Q.A.		
COMMENTS:		

KINETIC TECHNOLOGIES		
CLEVELAND OHIO 440.943.4111		
49.5 x 49.5 ROTATE TOP CART		
SIZE	DWG. NO.	REV
B	6007 USER	0
WEIGHT: 554LBS.		SHEET 1 OF 2

LIFT TABLE GUIDES LOCATION



PROPRIETARY AND CONFIDENTIAL
 THE INFORMATION CONTAINED IN THIS DRAWING IS THE SOLE PROPERTY OF KINETIC TECHNOLOGIES. ANY REPRODUCTION IN PART OR AS A WHOLE WITHOUT THE WRITTEN PERMISSION OF KINETIC TECHNOLOGIES IS PROHIBITED.

DATE	
PROJECT NUMBER	
QTY PER CART	
NO. OF CARTS	

UNLESS OTHERWISE SPECIFIED:	
DIMENSIONS ARE IN INCHES	
TOLERANCES:	
FRACTIONAL ±1/32	
ANGULAR: MACH ±1/2 BEND ±1	
TWO PLACE DECIMAL ±.015	
THREE PLACE DECIMAL ±.005	
MATERIAL	
FINISH	
DO NOT SCALE DRAWING	

	NAME	DATE
DRAWN	M BAILOR	12/6/06
CHECKED		
ENG APPR.		
MFG APPR.		
Q.A.		
COMMENTS:		

KINETIC TECHNOLOGIES		
CLEVELAND OHIO 440.943.4111		
49.5 x 49.5 ROTATE TOP CART		
SIZE	DWG. NO.	REV
B	6007 USER	0
WEIGHT: 554LBS.		SHEET 2 OF 2